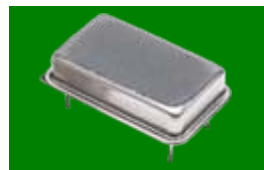


Temperature Compensated Voltage Controlled Crystal Oscillator

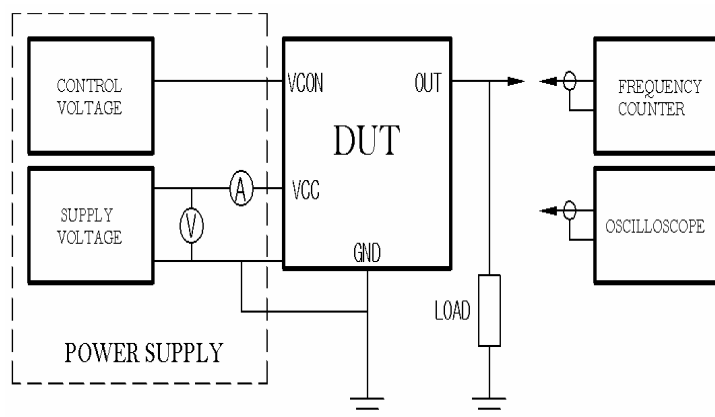
14pin DIP-Full Size, HCMOS/TTL



Electrical Specifications

| Model | | WDTX14H | WDTV14H | |
|-----------------------------|------------------------|--------------------------|-------------|------------------|
| Frequency Range | | 2.000 ~ 35.000 | | MHz |
| Applications | | TCXO | TCVCXO | |
| Supply Voltage | | Vdd = 5.0V | | V ±5% |
| Load | | 15pF | | ±10% |
| Operating Temperature Range | Standard | -20 ~ +70 | | |
| | Extended | -40 ~ +85 | | °C |
| Frequency Stability | vs. Temp | ±2.0 to ±10ppm | | Ref to 25°C ±2°C |
| | vs. Volt | ±0.5 / Vcc ±5% | | ppm/max |
| | vs. Load | ±0.2 / Load ±10% | | |
| | Aging | ±1.0 (First Year) | | |
| | Tolerance | ±2.0 (25°C ±2°C) | | |
| Output | Level | HCMOS / TTL | | mA max |
| | Wave Form | Rectangular | | Vp-p / min |
| Supply Current | | 20 | | ms / max |
| Frequency ADJ | | ±3 (by internal trimmer) | | ppm / min |
| VT | Frequency Deviation | N.A. | ±5.0 or ±20 | ppm / min |
| | Control Voltage (Vcon) | N.A. | 2.5±2.0 | V |

Test Circuit



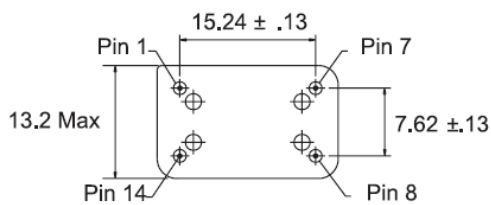
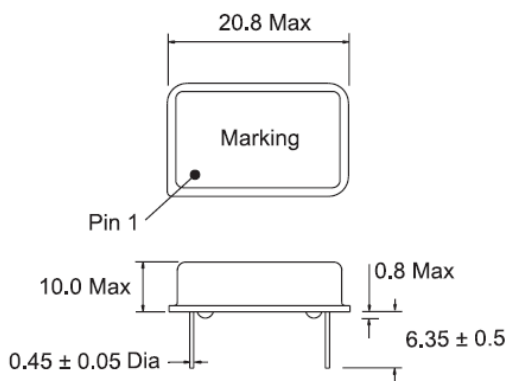
WDTX14H / WDTV14H

Part Numbering System

| Type | Voltage (V) | | Frequency | Frequency Stability (ppm max) | | Operating Temperature Range (*1) | Frequency deviation | |
|--------------------|-------------|-----|-----------|----------------------------------|--|----------------------------------|---------------------|--|
| | | | | | | | | |
| WDTX14H WDTV14H | 50 | 5.0 | in MHz | 10 15 20 25 30 50 | ±1.0 ±1.5 ±2.0 ±2.5 ±3.0 ±5.0 | EXT | 0 5 10 | No Connect (TCXO) ± 5ppm min ± 10ppm min |

Examples : WDTX14H-50-12.000-30, WDTV14H-50-30.000-50-EXT-5

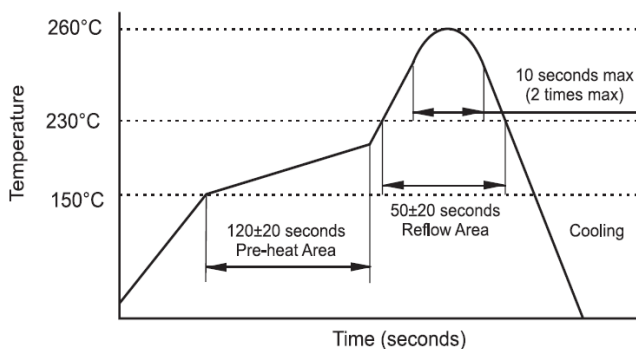
Mechanical Outline



(Dimensions are millimeters)

| PIN CONNECTION | | |
|----------------|---------|-----------|
| Pin | WDTX14H | WDTV14H |
| 1 | NC | V Control |
| 7 | Ground | Ground |
| 8 | Output | Output |
| 14 | Vcc | Vcc |

Solder Reflow Characteristics



Notes:

1. Standard Temperature Range do not need to be included in Part Number description.
- 2 - Product is shipped in ESD Plastic Tubes. Each tube contains 20 pieces.
3. Specification subject to change without notice.