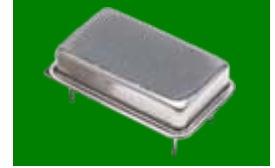


WDTX14S / WDTV14S

Wavetron

Temperature Compensated Voltage Controlled Crystal Oscillator

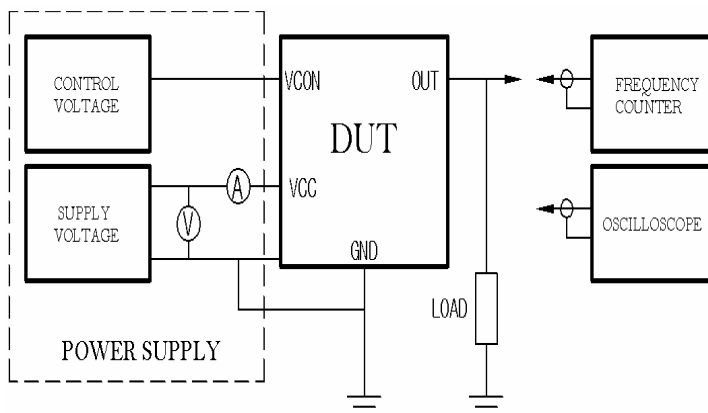
14pin DIP-Full Size, Clipped Sine Wave Form



Electrical Specifications

Model		WDTX14S	WDTV14S	
Frequency Range		12.000 ~ 35.000		MHz
Applications		TCXO	TCVCXO	
Supply Voltage		Vdd = 5.0V		V ±5%
Load		10KΩ//10pF		±10%
Operating Temperature Range	Standard	-20 ~ +70		
	Extended	-40 ~ +85		°C
Frequency Stability	vs. Temp	±2.0 to ±10ppm		Ref to 25°C ±2°C
	vs. Volt	±0.5 / Vcc ±5%		ppm/max
	vs. Load	±0.2 / Load ±10%		
	Aging	±1.0 (First Year)		
	Tolerance	±2.0 (25°C ±2°C)		
Output	Level	5.0Vcc × 2.0		mA max
	Wave Form	Clipped Sine wave		Vp-p / min
Supply Current		5.0Vcc × 2.0		ms / max
Frequency ADJ		±3 (by internal trimmer)		ppm / min
VT	Frequency Deviation	N.A.	±5.0 or ±20	ppm / min
	Control Voltage (Vcon)	N.A.	2.5±2.0	V

Test Circuit



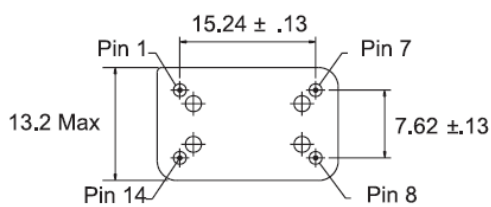
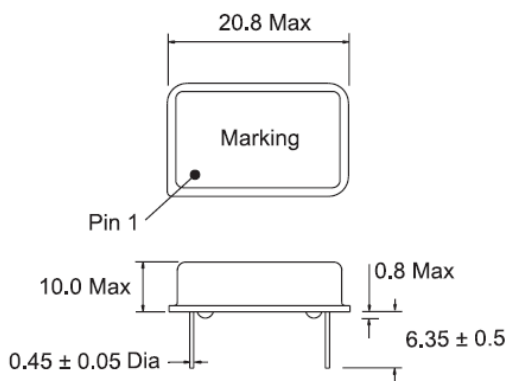
WDTX14S / WDTV14S

Part Numbering System

Type	Voltage (V)		Frequency	Frequency Stability (ppm max)		Operating Temperature Range (*1)	Frequency deviation	
WDTX14S WDTV14S	50	5.0	in MHz	10 15 20 25 30 50	±1.0 ±1.5 ±2.0 ±2.5 ±3.0 ±5.0	EXT	0 5 10	No Connect (TCXO) ± 5ppm min ± 10ppm min

Examples : WDTX14S-50-12.000-30, WDTV14S-50-30.000-50-EXT-10

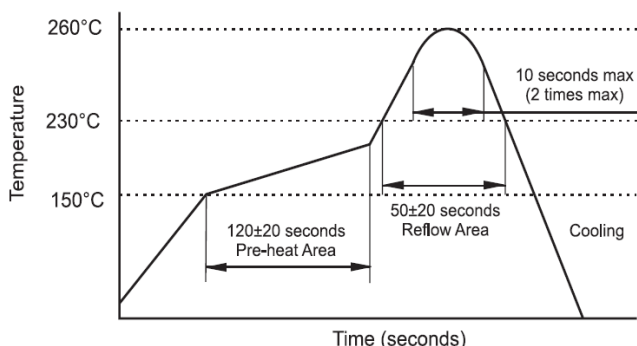
Mechanical Outline



(Dimensions are millimeters)

PIN CONNECTION		
Pin	WDTX14S	WDTV14S
1	NC	V Control
7	Ground	Ground
8	Output	Output
14	Vcc	Vcc

Solder Reflow Characteristics



Notes:

1. Standard Temperature Range do not need to be included in Part Number description.
- 2 - Product is shipped in ESD Plastic Tubes. Each tube contains 20 pieces.
3. Specification subject to change without notice.