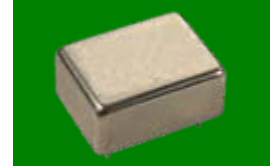


# WDTX18H / WDTV18H

# Wavetron

## Temperature Compensated Voltage Controlled Crystal Oscillator

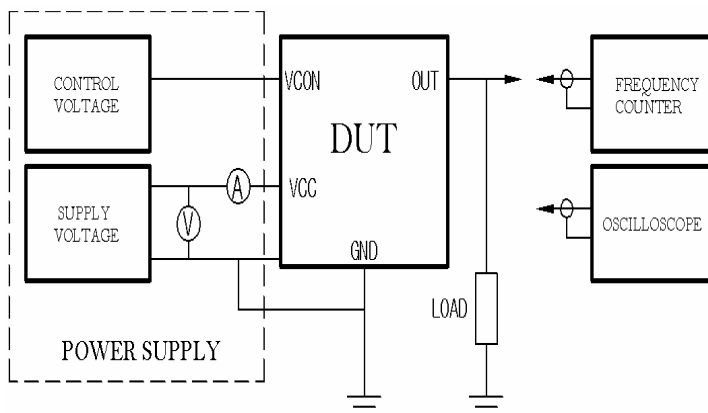
18.5 x 11.9 Through Hole, HCMOS/TTL



### Electrical Specifications

Model	WDTX18H	WDTV18H	
Frequency Range	2.000 ~ 35.000		MHz
Applications	TCXO	TCVCXO	
Supply Voltage	Vdd = 5.0V		V ±5%
Load	15pF		±10%
Operating Temperature Range	Standard	-20 ~ +70	
	Extended	-40 ~ +85	°C
Frequency Stability	vs. Temp	±2.0 to ±10ppm	Ref to 25°C ±2°C
	vs. Volt	±0.5 / Vcc ±5%	ppm/max
	vs. Load	±0.2 / Load ±10%	
	Aging	±1.0 (First Year)	
	Tolerance	±2.0 (25°C ±2°C)	
Output	Level	HCMOS / TTL	mA max
	Wave Form	Rectangular	Vp-p / min
Supply Current	20		ms / max
Frequency ADJ	±3 (by internal trimmer)		ppm / min
VT	Frequency Deviation	N.A.	±5.0 or ±20
	Control Voltage (Vcon)	N.A.	2.5±2.0
			V

### Test Circuit



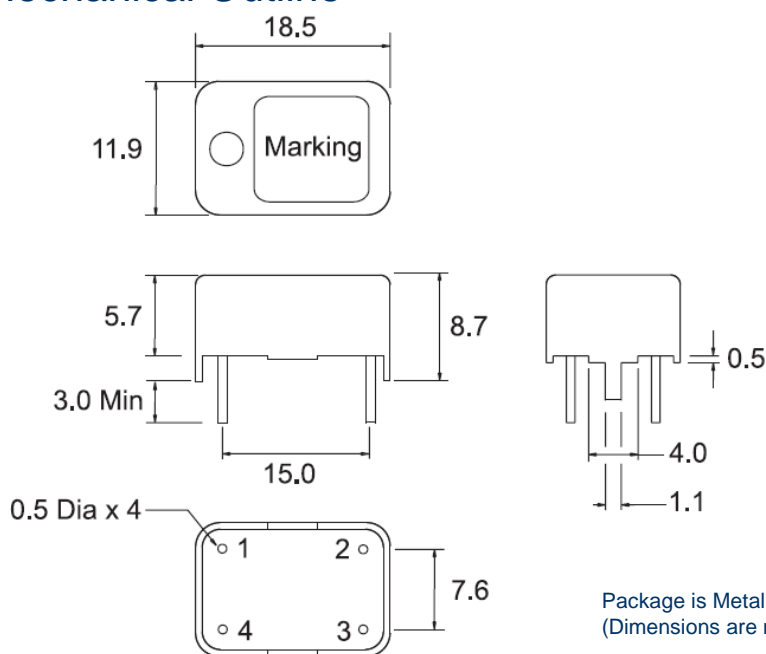
## WDTX18H / WDTV18H

### Part Numbering System

Type	Voltage (V)		Frequency	Frequency Stability (ppm max)		Operating Temperature Range (*1)	Frequency deviation	
WDTX18H WDTV18H	50	5.0	in MHz	10 15 20 25 30 50	±1.0 ±1.5 ±2.0 ±2.5 ±3.0 ±5.0	EXT	0 5 10	No Connect (TCXO) ± 5ppm min ± 10ppm min

Examples : WDTX18H-50-12.000-30-0, WDTV18H-50-30.000-50-EXT-5

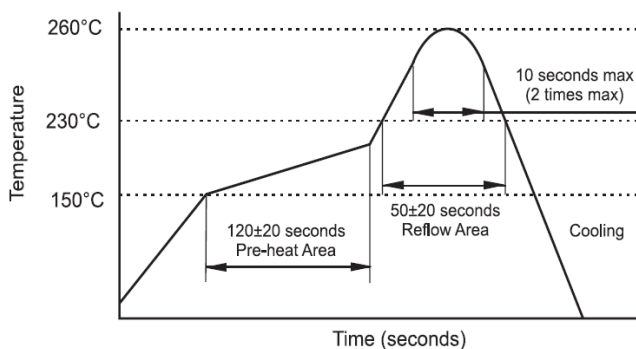
### Mechanical Outline



PIN CONNECTION		
Pin	WDTX18H	WDTV18H
1	NC	V Control
2	Ground	Ground
3	Output	Output
4	Vcc	Vcc

Package is Metal Can with PCB base.  
(Dimensions are millimeters)

### Solder Reflow Characteristics



#### Notes:

1. Standard Temperature Range do not need to be included in Part Number description.
2. Product is shipped in ESD Plastic Tubes. Each tube contains 15 pieces.
3. Specification subject to change without notice.