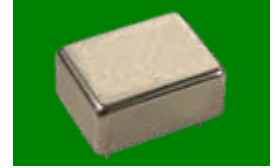


## Temperature Compensated Voltage Controlled Crystal Oscillator

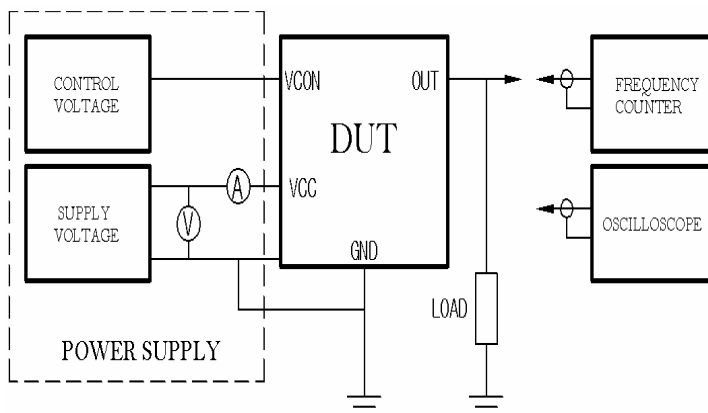


18.5 x 11.9 Through Hole, Clipped Sine Wave Form

### Electrical Specifications

Model		WDTX18S	WDTV18S	
Frequency Range		12.000 ~ 35.000		MHz
Applications		TCXO	TCVCXO	
Supply Voltage		Vdd = 5.0V		V ±5%
Load		10KΩ//10pF		±10%
Operating Temperature Range	Standard	-20 ~ +70		
	Extended	-40 ~ +85		°C
Frequency Stability	vs. Temp	±2.0 to ±10ppm		Ref to 25°C ±2°C
	vs. Volt	±0.5 / Vcc ±5%		ppm/max
	vs. Load	±0.2 / Load ±10%		
	Aging	±1.0 (First Year)		
	Tolerance	±2.0 (25°C ±2°C)		
Output	Level	5.0Vcc × 2.0		mA max
	Wave Form	Clipped Sine wave		Vp-p / min
Supply Current		5.0Vcc × 2.0		ms / max
Frequency ADJ		±3 (by internal trimmer)		ppm / min
VT	Frequency Deviation	N.A.	±5.0 or ±20	ppm / min
	Control Voltage (Vcon)	N.A.	2.5±2.0	V

### Test Circuit

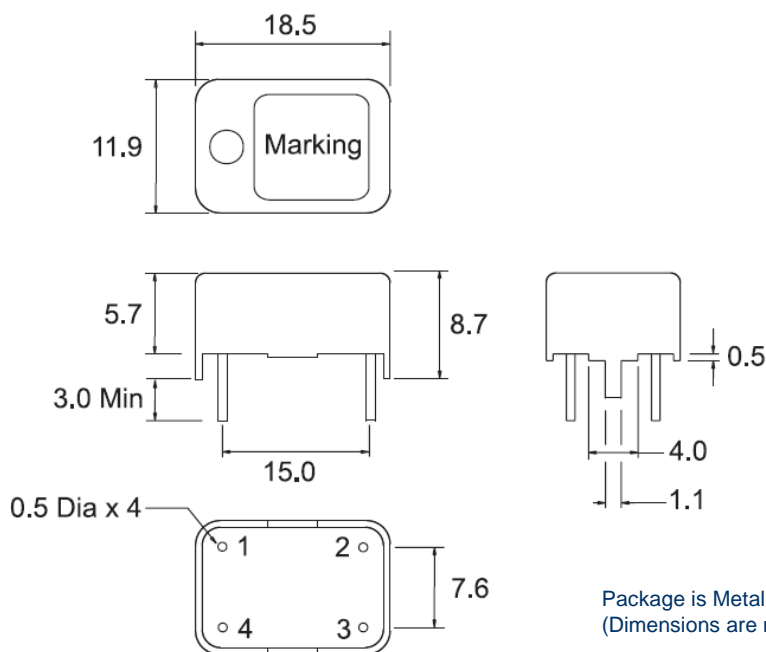


### Part Numbering System

Type	Voltage (V)		Frequency	Frequency Stability (ppm max)		Operating Temperature Range (*1)	Frequency deviation	
WDTX18S WDTV18S	50	5.0	in MHz	10 15 20 25 30 50	±1.0 ±1.5 ±2.0 ±2.5 ±3.0 ±5.0	EXT	0 5 10	No Connect (TCXO) ± 5ppm min ± 10ppm min

Examples : WDTX18S-50-12.000-30-0, WDTV18S-50-30.000-30-EXT-5

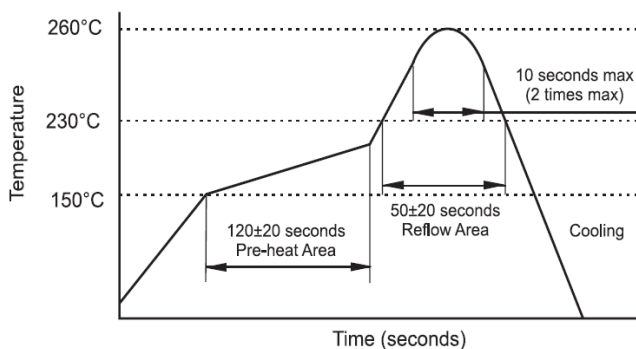
### Mechanical Outline



PIN CONNECTION		
Pin	WDTX14S	WDTV14S
1	NC	V Control
2	Ground	Ground
3	Output	Output
4	Vcc	Vcc

Package is Metal Can with PCB base.  
(Dimensions are millimeters)

### Solder Reflow Characteristics



#### Notes:

1. Standard Temperature Range do not need to be included in Part Number description.
2. Product is shipped in ESD Plastic Tubes. Each tube contains 15 pieces.
3. Specification subject to change without notice.