

Ceramic Resonators

Features

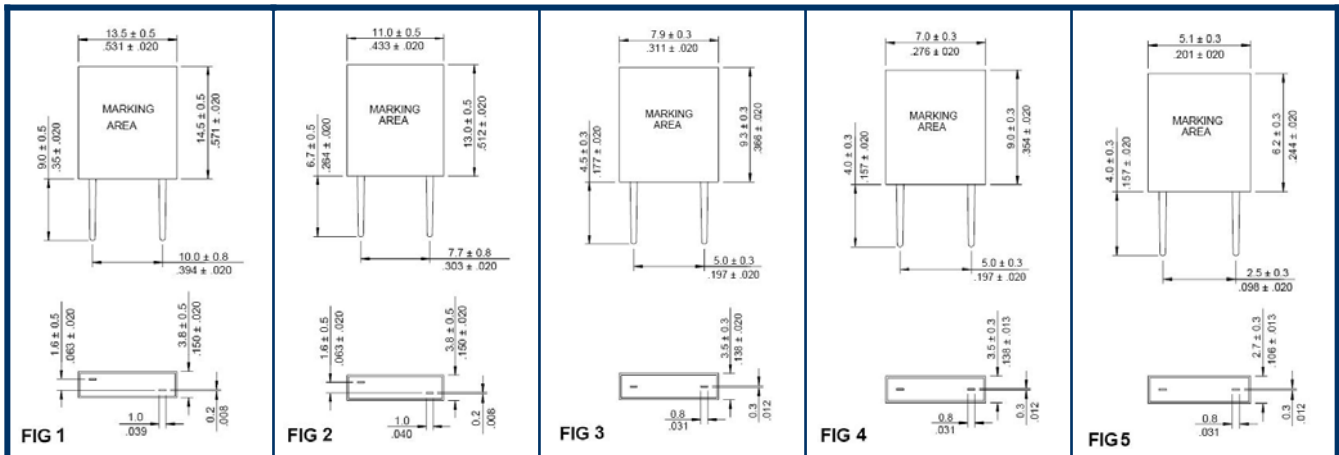
- Cost effective
- Small and Light
- High Durability
- Excellent Temperature Stability



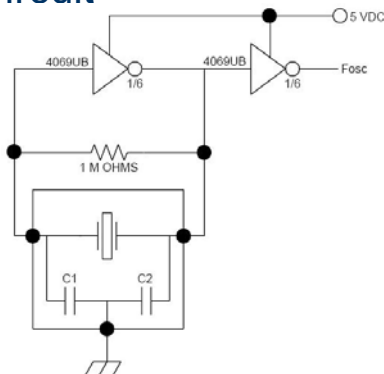
Electrical Specifications

Frequency Range (KHz)		190 - 249	250 - 374	375 - 429	430 - 509	510 - 699	700 - 1250
Dimensions		Fig 1	Fig 2	Fig 3	Fig 4	Fig 4	Fig 5
External Capacitance	C1(pF)	330	220	120	100	100	100
	C2(pF)	470	470	470	100	100	100
Frequency Stability (-20°C ~ +80°C)		± 0.3%					
Frequency Accuracy (±25°C)		±1KHz		±2KHz			±0.5%
Frequency Aging (10Yrs)		±0.3%					

Dimensions



Test Circuit



Part Numbering System

Type	-	Frequency
WRM		in KHz

Examples : WPOE-455KHz or WPOE-800KHz

Notes:

- 1 - Lead Pb in Ceramic is exempt per RoHSF 2002/95/EC, Annex 7.
- 2 - Product is shipped in Bulk, each pack is 1000 pieces
- 3 - Specification subject to change without notice.