

Ceramic Resonator External Capacitance Type



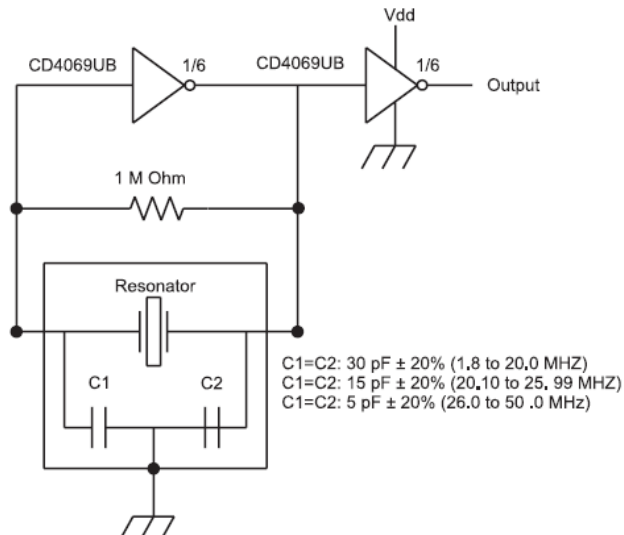
Features

- Cost effective
- Small and Light
- High Durability
- Excellent Temperature Stability

Electrical Specifications

Frequency Range		1.800 to 50.000	MHz
Frequency Tolerance at 25°C	Standard	±5%	% Max
Frequency Stability over Temperature Range	Standard	±50	% Max
Temperature Range	Operating	-20 to +80	°C
	Storage	-30 to +85	
Aging over 10 Years		± 0.3	% Max
Voltage Rating	DC	6.0	V
	AC	15	V p-p
	Maximum	100 for 5 seconds	V Max
External Capacitance (See Test Circuit)	C1=C2	30 ± 20%	pF
	C1=C2	15 ± 20%	
	C1=C2	5 ± 20%	
Equivalent Ser Resistance (ESR)		100	Ohms Max
Insulation Resistance (Applied at 10Vdc)		100	M Ohm Min

Test Circuit :

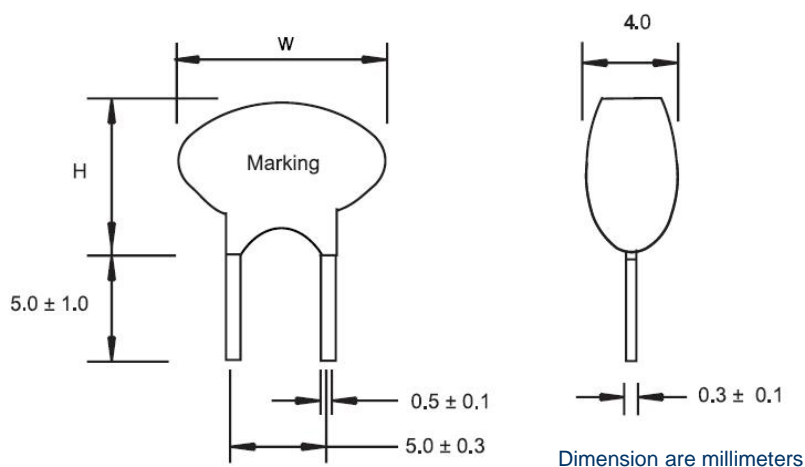


Part Numbering System

Type	-	Frequency
WPOI		in MHz

Examples : WPOI-4.000MHz or WPOI-12.000MHz

Mechanical Outline



MHz	2.00 - 3.00	3.01 - 5.99	6.00 - 6.49	6.50 - 9.99	10.00 - 12.99	13.00 - 50.00
W	12.00	10.00	7.50	8.00	7.00	9.00
H	8.00	7.00	6.00	8.00	8.00	8.00

Notes:

- 1 – Lead Pb in Ceramic is exempt per RoHSF 2002/95/EC, Annex 7.
- 2 – Product is shipped in Bulk, each pack is 1000 pieces
- 3 – Specification subject to change without notice.