

WSC80B

Wavetron

Microprocessor Crystal Unit 8.0 x 4.5mm Surface Mount Package



Features

- Low cost SMD package
- 1.6mm thickness
- Fundamental Frequency to 50.000MHz
- RoHS Compliant



Electrical Specifications

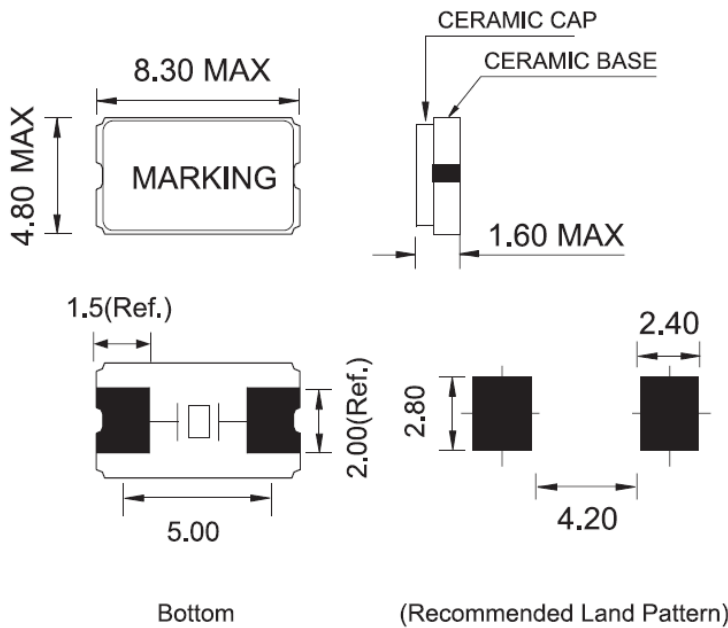
| | | | |
|--|-------------|----------------------------------|--------------|
| Frequency Range | | 12.000 to 50.000 | MHz |
| Mode of Oscillation | Fundamental | 12.000 to 50.000 | |
| Frequency Tolerance at 25°C | Standard | ±30 | PPM Max |
| Frequency Stability over Temperature Range | Standard | ±50 | |
| | Optional | ±30 | |
| Operating Temperature Range | Standard | -10 to +70 | °C |
| | Extended | -40 to +85 | |
| Storage Temperature Range | | -55 to +125 | |
| Aging | | ±3 | PPM Max/Year |
| Load Capacitance | | 10 to 32 and Series Resonance | pF |
| Shunt Capacitance | | 7.0 | pF |
| Equivalent Ser Resistance (ESR) | | 50 | Ohms |
| Drive Level | | 500 | uW Max |
| Insulation Resistance | | 500 at 100Vdc (±15Vdc) | M Ohm |

Part Numbering System

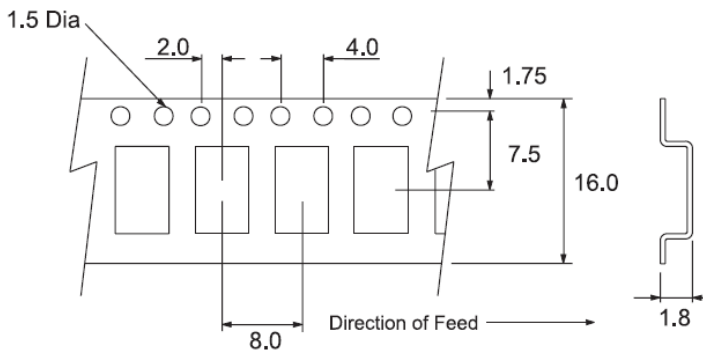
| Type | Frequency | Load Capacitance | Tolerance/ Stability (*1) | Extended Temperature (*1) | Tape & Reel |
|--------|-----------|--|---------------------------|---------------------------|-------------|
| WSC80B | in MHz | 10 to 32 for Parallel and S for Series | (PPM/PPM) e.g. 3030 | EXT | TR |

Examples : WSC80B-12.000-18-TR, WSC80B-48.000-S-TR or WSC80B-32.000-18-3030-EXT-TR

Mechanical Outline



Carrier Tape Dimensions



Dimensions are millimeters.

Notes:

- 1 - Standard Tolerance/Stability and Standard Temperature Range, do not need to be included in Part Number description.
- 2 - Product is shipped in Tape and Reel configuration. Each reel contains 1000 pieces.
- 3 - Specification subject to change without notice.

Solder Reflow Characteristics

