

Temperature Compensated Crystal Oscillator

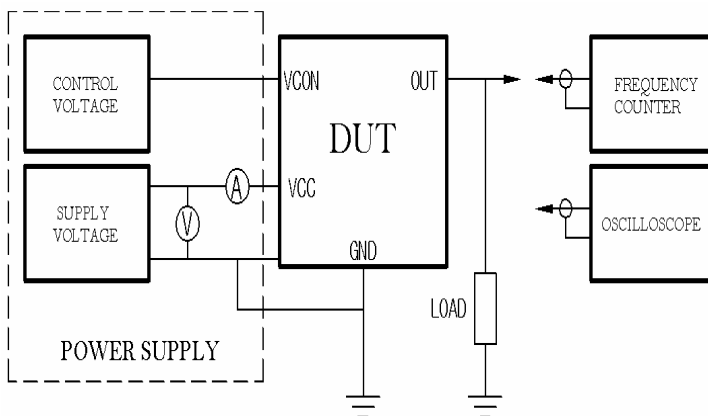
TCXO Package 11.4 x 9.8mm Surface Mount



Electrical Specifications

Model		WSTX119H	
Frequency Range		2.000 ~ 30.000	MHz
Applications		TCXO	
Supply Voltage		Vdd = 3.0, 5.0	V ±5%
Load		15pF	±10%
Operating Temperature Range	Standard	-20 ~ +70	°C
	Extended	-40 ~ +85	
Frequency Stability	vs. Temp	±2.5 ~ ±5.0ppm	ppm/max Ref to 25°C ±2°C
	vs. Volt	±0.5 / Vcc ±5%	
	vs. Load	±0.2 / Load ±10%	
	Aging	±1.0 (First Year)	
	Tolerance	±0.5 (25°C ±2°C)	
Output	Level	HCMOS / TTL	Vp-p / min
	Wave Form	Rectangular	
Supply Current		20	mA / max
Frequency Adj		±3 (by Internal Trimmer)	ppm / min

Test Circuit

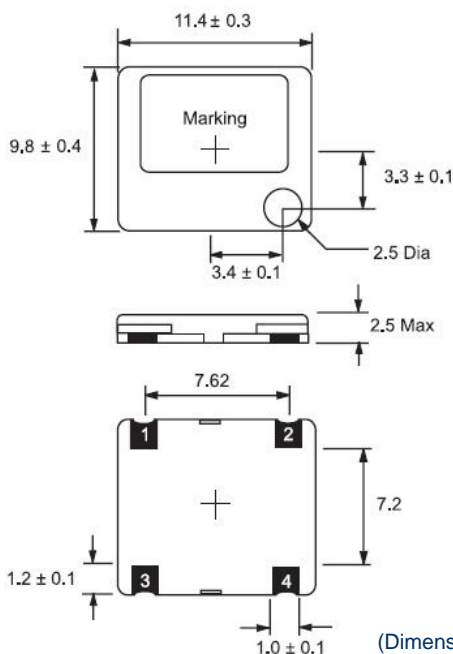


Part Numbering System

Type	Voltage (V)		Frequency	Frequency Stability (ppm max)		Operating Temperature Range (*1)	Tape & Reel									
WSTX119H	-	30	+3.0	-	In MHz	-	EXT									
								50	+5.0	-	-	-	-	TR		
															10	±1.0
															15	±1.5
															20	±2.0
25	±2.5															
30	±3.0															
50	±5.0															

Examples : WSTX119H-30-22.000-30-TR, WSTX119H-50-20.000-50-EXT-TR

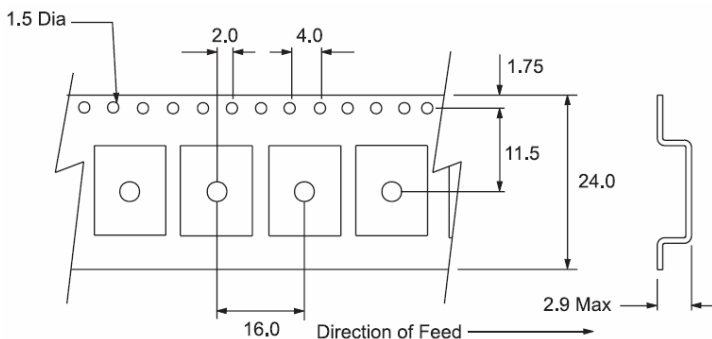
Mechanical Outline



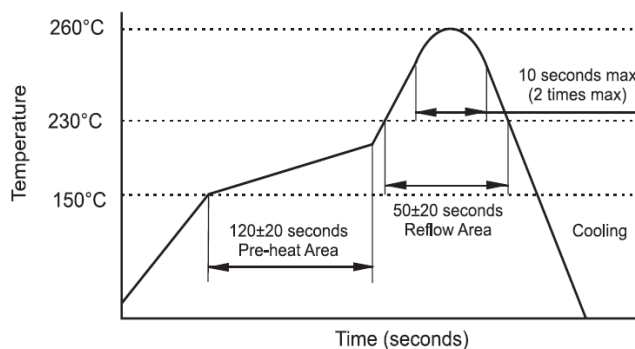
PIN CONNECTION	
1	N/C
2	Ground
3	Output
4	Vcc

(Dimensions are millimeters)

Carrier Tape Dimensions



Solder Reflow Characteristics



Notes:

1. Standard Temperature Range do not need to be included in Part Number description.
2. Product is shipped in Tape and Reel configuration. Each reel contains 1000 pieces.
3. Specification subject to change without notice.