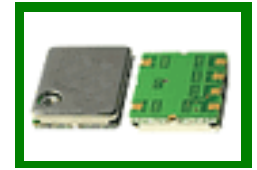


WSTX119S / WSTV119S

Wavetron

Temperature Compensated Voltage Controlled Crystal Oscillator

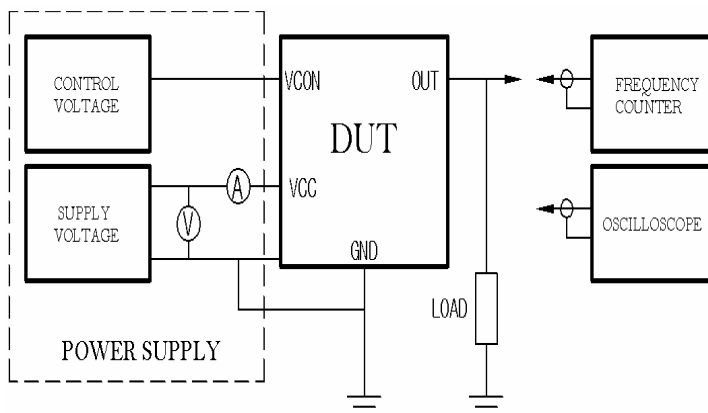
TCVCXO Package 11.4 x 9.8mm Surface Mount



Electrical Specifications

Model	WSTX119S	WSTV119S	
Frequency Range	10.000 ~ 30.000		MHz
Applications	TCXO	TCVCXO	
Supply Voltage	Vdd = 3.0V, 5.0V		V ±5%
Load	10KΩ//10pF		±10%
Operating Temperature Range	Standard	-20 ~ +70	
	Extended	-40 ~ +85	°C
Frequency Stability	vs. Temp	±2.5 to ±5.0ppm	ppm/max Ref to 25°C ±2°C
	vs. Volt	±0.5 / Vcc ±5%	
	vs. Load	±0.2 / Load ±10%	
	Aging	±1.0 (First Year)	
	Tolerance	±0.5 (25°C ±2°C)	
Output	Level	3.0Vcc*0.8, 5.0Vcc *1.0	mA max
	Wave Form	Clipped Sine wave	Vp-p / min
Supply Current	3.0Vcc*1.5, 5.0Vcc *2.0		ms / max
Frequency ADJ	±3 (by internal trimmer)		ppm / min
VT	Frequency Deviation	N.A.	±5.0 or ±15.0
	Control Voltage (Vcon)	N.A.	1.5 ±1.0 or 2.5±2.0

Test Circuit

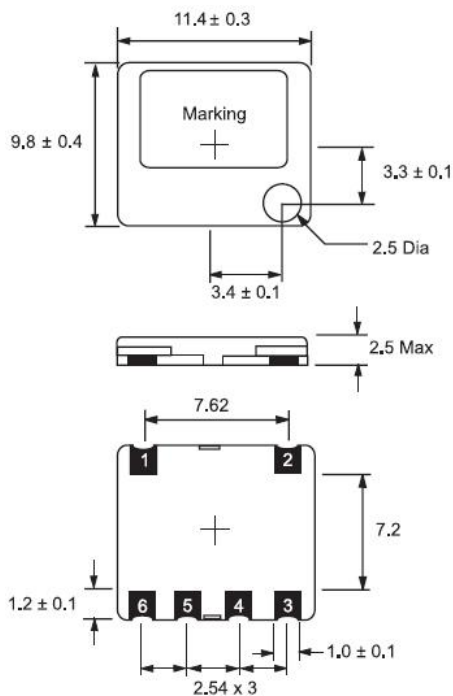


Part Numbering System

Type	Voltage		Frequency	Frequency Stability (ppm max)		Operating Temperature Range (*1)	Frequency deviation		Tape & Reel
WSTX119S WSTV119S	30 50	3.0 5.0	In MHz	10 15 20 25 30 50	±1.0 ±1.5 ±2.0 ±2.5 ±3.0 ±5.0	EXT	0 5 10	No Connect (TCXO) ± 5ppm min ± 10ppm min	TR

Examples : WSTX119S-30-12.000-10-TR, WSTV119S-50-20.000-30-EXT-5-TR

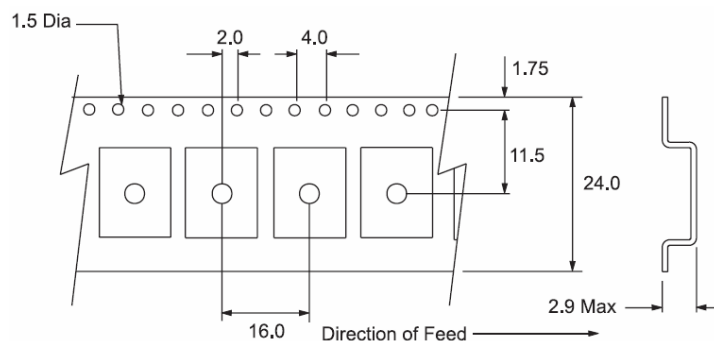
Mechanical Outline



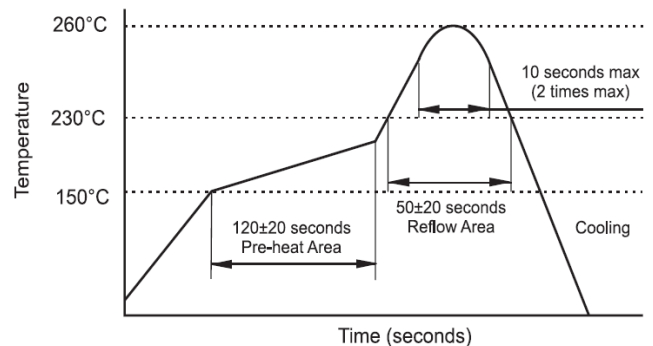
PIN CONNECTION		
Pin	WSTX119	WSTV119
1	Ground	Ground
2	Ground	Ground
3	Output	Output
4	Ground	Ground
5	NC	Vcontrol
6	Vcc	Vcc

(Dimensions are millimeters)

Carrier Tape Dimensions



Solder Reflow Characteristics



Notes:

1. Standard Temperature Range do not need to be included in Part Number description.
2. Product is shipped in Tape and Reel configuration. Each reel contains 1000 pieces.
3. Specification subject to change without notice.