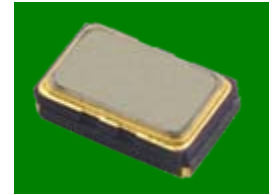


WSTX53 / WSTV53

Wavetron

Temperature Compensated Voltage Controlled Crystal Oscillator

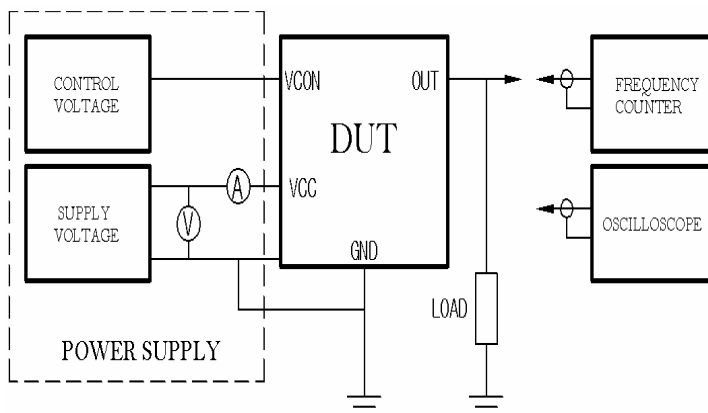
TCVCXO Package 5.0 x 3.2mm Surface Mount



Electrical Specifications

Model		WSTX53	WSTV53		
Frequency Range		10.000 to 30.000			MHz
Applications		TCXO	TCVCXO		
Supply Voltage		V _{dd} = 2.8V, 3.3V			V ±5%
Load		10KΩ / 10pF			±10%
Operating Temperature Range		-40 to +85			°C
Frequency Stability	vs. Temp	±2.0 to ±5.0ppm			Ref to 25°C ±2°C ppm/max
	vs. Volt	±0.3 / V _{cc} ±5%			
	vs. Load	±0.3 / Load ±10%			
	Aging	±1.0 (First Year)			
	Tolerance	±1.0 (25°C ±2°C)			
Output	Level	0.8			
	Wave Form	Clipped Sine wave			V _{p-p} / min
Start-up Time		10(2 to 3ms Typ)			ms / max
VT	Frequency Deviation	N.A.		±10	ppm / min
	Control Voltage (V _{con})	N.A.		1.5 ±1.0	V
Phase Noise (Typical)		100Hz	1KHz	10KHz	100KHz
		-110dBc/Hz	-130dBc/Hz	-140dBc/Hz	

Test Circuit



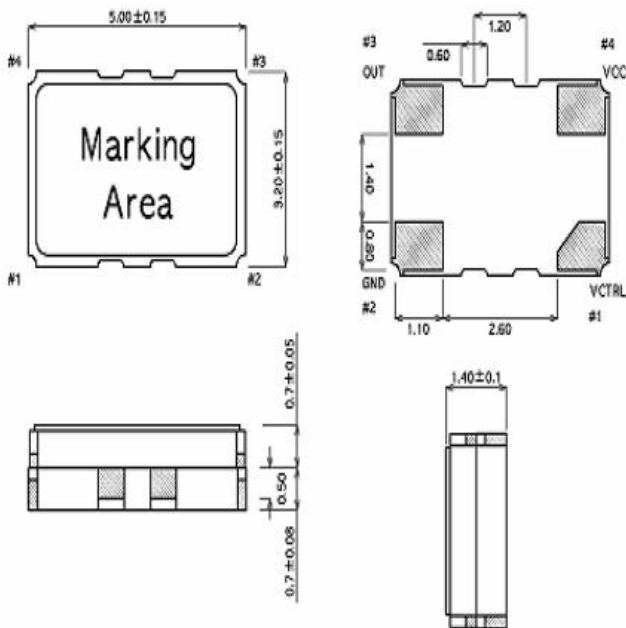
WSTX53 / WSTV53

Part Numbering System

Type	Voltage (V)		Frequency In MHz	Frequency Stability (ppm max)		Operating Temperature Range (°C)		Output Load (pF)		Frequency deviation		Tape & Reel
WSTX53	28	2.8	In MHz	10	±1.0	A	0 ~ 50	10	10KΩ/ 10pF	0	No Connect (TCXO)	TR
WSTV53	33	3.3		15	±1.5	B	-10 ~ 60					
				20	±2.0	C	-20 ~ 70	15	15pF			
				25	±2.5	D	-30 ~ 75			10	± 10ppm min	
				30	±3.0	E	-40 ~ 85					
				50	±5.0							

Examples : WSTX53-28-32.000-10-C-10-TR, WSTV53-33-25.000-15-E-15-10-TR

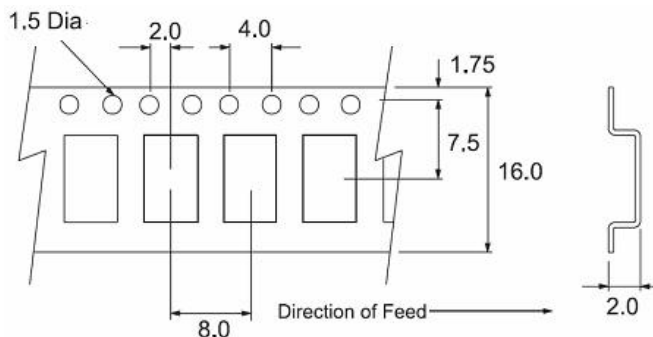
Mechanical Outline



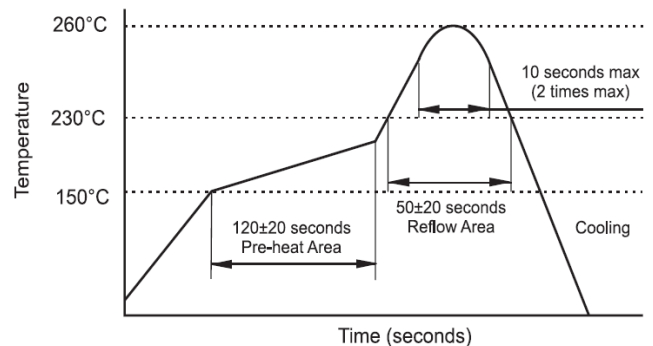
PIN CONNECTION		
Pin	WSTX53	WSTV53
1	N/C	Vcontrol
2	Ground	Ground
3	Output	Output
4	Vcc	Vcc

(Dimensions are millimeters)

Carrier Tape Dimensions



Solder Reflow Characteristics



Notes:

- 1 - Product is shipped in Tape and Reel configuration. Each reel contains 1000 pieces.
- 2 - Specification subject to change without notice.