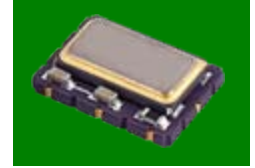


WSTX75 / WSTV75

Wavetron

Temperature Compensated Voltage Controlled Crystal Oscillator

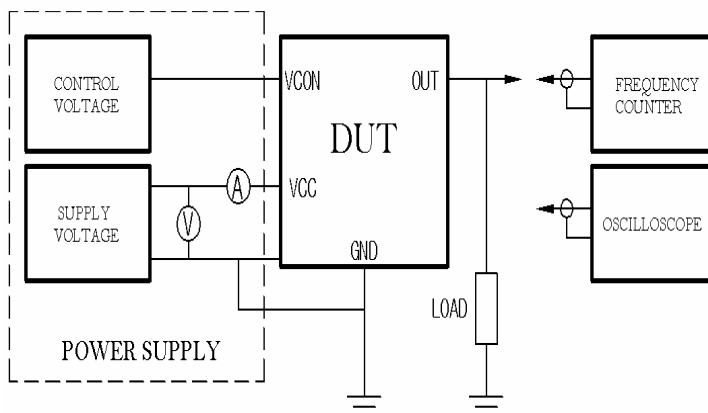
TCVCXO Package 7.0 x 5.0mm Surface Mount



Electrical Specifications

Model		WSTX75	WSTV75	
Frequency Range		10.000 to 30.000		MHz
Applications		TCXO	TCVCXO	
Supply Voltage		Vdd = 2.8, 3.3, 5.0		V ±5%
Load		10KΩ / 10pF		±10%
Operating Temperature Range		-40 to +85		°C
Frequency Stability	vs. Temp	±2.0 to ±5.0ppm		Ref to 25°C ±2°C ppm/max
	vs. Volt	±0.2 / Vcc ±5%		
	vs. Load	±0.2 / Load ±10%		
	Aging	±1.0 (First Year)		
	Tolerance	±1.0 (25°C ±2°C)		
Output	Level	0.8		
	Wave Form	Clipped Sine wave		Vp-p / min
Start-up Time		10(2 to 3ms Typ)		ms / max
VT	Frequency Deviation	N.A.	±8	ppm / min
	Control Voltage (Vcon)	N.A.	1.5 ±1.0	V
Phase Noise (Typical)		-130dBc/Hz max (at 1KHz)		

Test Circuit



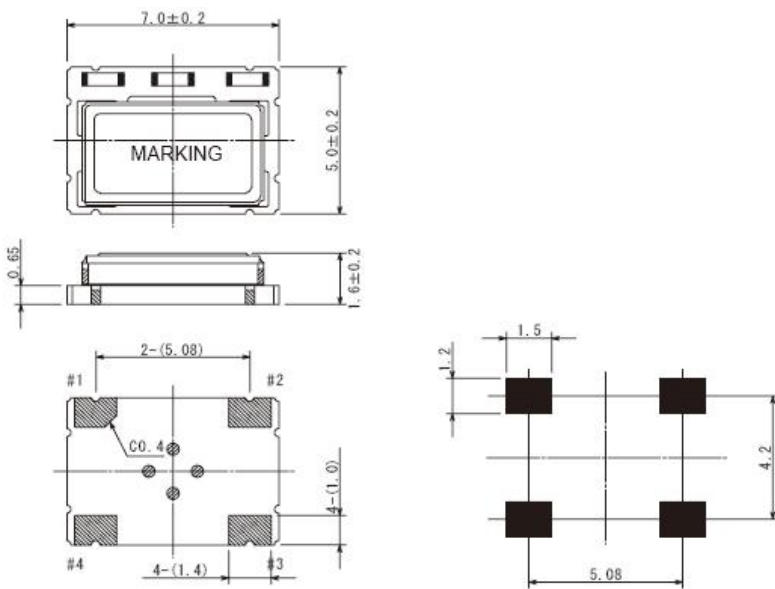
WSTX75 / WSTV75

Part Numbering System

Type	Voltage (V)		Frequency In MHz	Frequency Stability (ppm max)		Operating Temperature Range (°C)		Output Load (pF)		Frequency deviation		Tape & Reel
WSTX75	28	2.8	In MHz	10	±1.0	A	0 ~ 50	10	10KΩ/ 10pF	0	No Connect (TCXO) ± 5ppm min ± 10ppm min	TR
WSTV75	33	3.3		15	±1.5	B	-10 ~ 60			15		
				20	±2.0	C	-20 ~ 70		10			
				25	±2.5	D	-30 ~ 75					
				30	±3.0	E	-40 ~ 85					
				50	±5.0							

Examples : WSTX75-28-32.000-10-C-10-TR, WSTV75-33-25.000-25-E-15-10-TR

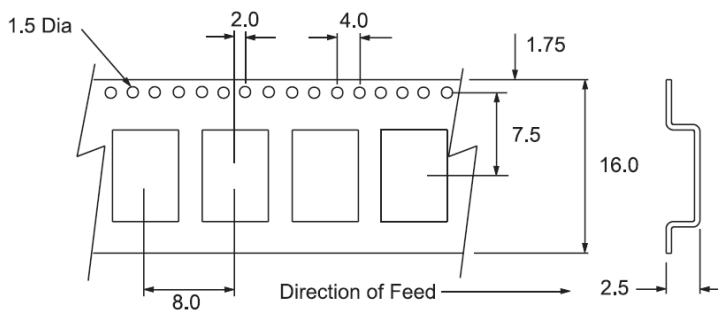
Mechanical Outline



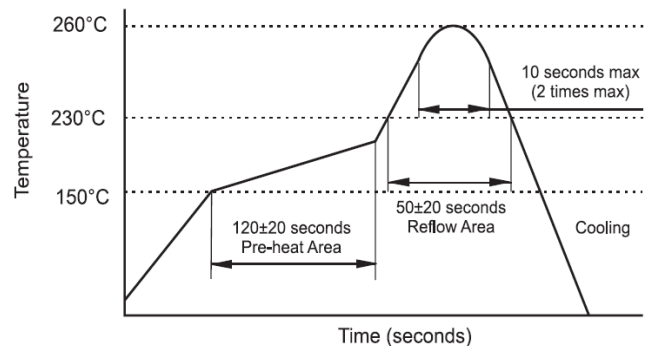
PIN CONNECTION		
Pin	WSTX75	WSTV75
1	N/C	Vcontrol
2	Ground	Ground
3	Output	Output
4	Vcc	Vcc

(Dimensions are millimeters)

Carrier Tape Dimensions



Solder Reflow Characteristics



Notes:

- 1 - Product is shipped in Tape and Reel configuration. Each reel contains 1000 pieces.
- 2 - Specification subject to change without notice.